

Connecting your Digital Decoder to your stereo TV equipped with video and audio 'IN' and 'OUT' connections, and stereo VCR.

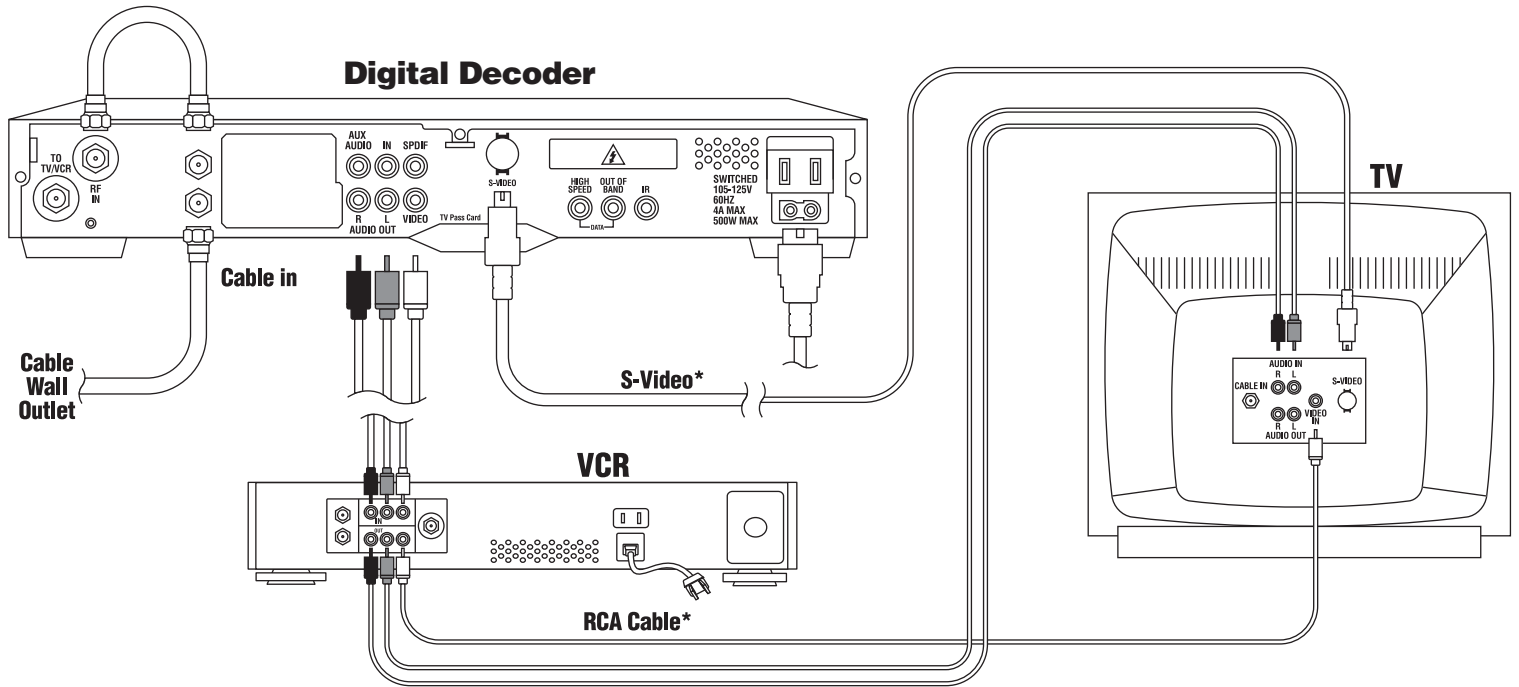
**Instructions :**

1. Connect cable from wall to cable "IN" on your Digital Box.
2. Using an S-video cable and RCA cables, connect your Digital Decoder S-video and audio output "OUT" to your TV S-video and audio connections **or**  
Using RCA cables, connect your Digital Decoder Audio and video "OUT" to your VCR audio and video "IN" connections.
3. Using RCA cables, connect your VCR audio and video "OUT" to your TV audio and video "IN" connections.
4. Select video input on your VCR (in need of help, consult your VCR user guide)
5. Select on your TV either S-video or video inputs to watch programs with your Digital Decoder or your VCR.

**Special notes:**

1. If you do not have a VCR, connect your Digital Decoder directly to your TV, using the RCA cables or an S-cable.
2. S-video and RCA cables are not supplied by COGECO, visit your local retailer to obtain these items.

NOTE : Only one VCR should be connected at a time.



Your VCR and Video game system must be connected directly to your TV. This way you will avoid spoiling the quality of your Digital Decoder's signal.