

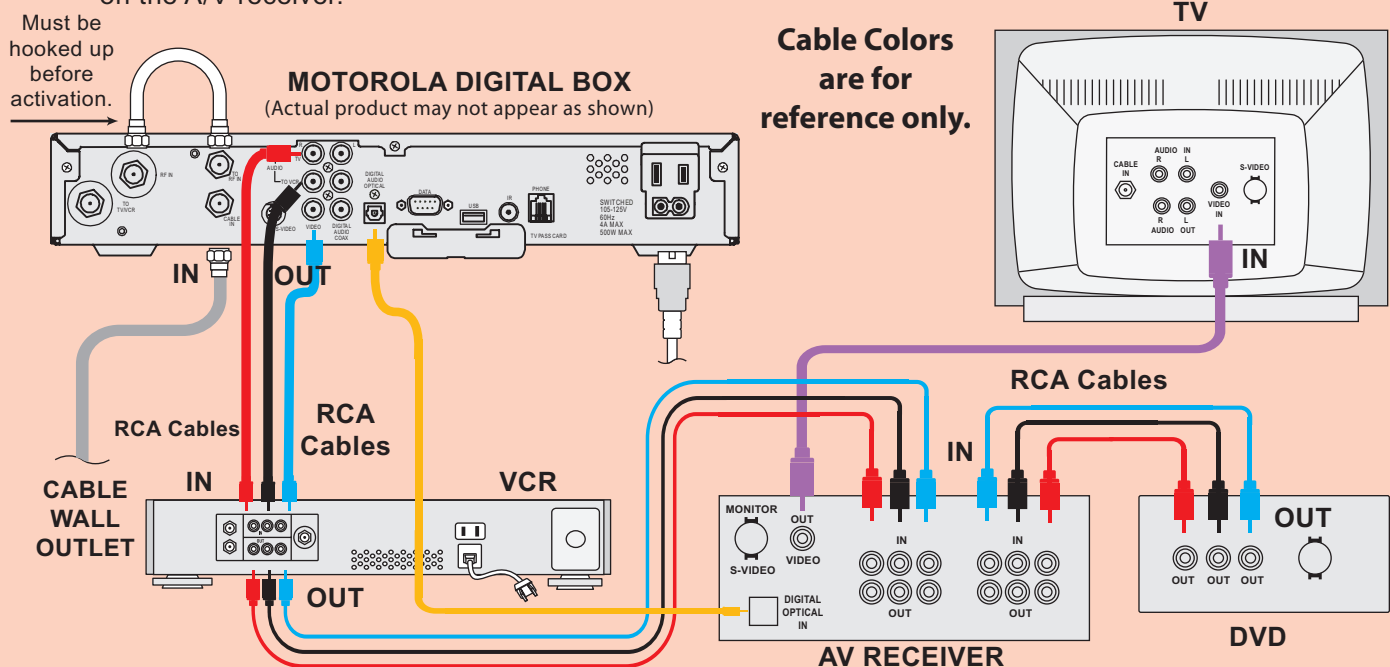
## - HOME THEATER SYSTEM - "Diagram Applies to DCT 2500 Model"

You will require:

**AV Receiver – 3 Sets of RCA Cables – S-Video Cable – Digital Optical Cable**

### Instructions:

- 1:** Connect cable [GREY] from wall to the Cable "IN" on your Motorola Digital Box.
- 2:** Using RCA Cables\*, connect the video [BLUE] and audio [BLACK & RED] "OUT" on your Motorola Digital Box to the video and audio "IN" on your VCR.
- 3:** Using RCA Cables\* connect the video [BLUE] and audio [BLACK & RED] "OUT" on your VCR to the video and audio "IN" on your A/V Receiver.
- 4:** Using RCA Cables\* connect the video [BLUE] and audio [BLACK & RED] "OUT" on the DVD to the video and audio "IN" on your A/V Receiver.
- 5:** Connect a RCA Cable\* [PURPLE] from the "VIDEO OUT" on your A/V Receiver to the "VIDEO IN" on your television.
- 6: For Dolby Digital Receivers with Digital Optical port:**  
Connect Digital Optical Audio Cable [YELLOW] from Optical "OUTPUT" to Digital Optical "INPUT" on the A/V receiver.



**Do not connect a VCR or game device in front of your Motorola Digital Box.  
Doing this may cause your digital terminal to fail.**

### Special Notes:

- 1:** VCR can be eliminated if you are not planning on taping using this setup.
- 2:** If you do not have a DVD Player you can eliminate step 4.
- 3:** With this configuration, you will only be able to record the channels that you are watching.
- 4:** Optional audio connections between A/V Receiver and TV can be used for TV audio speakers.
- 5:** Digital Dolby Sound available when program supplier transmits in this format.