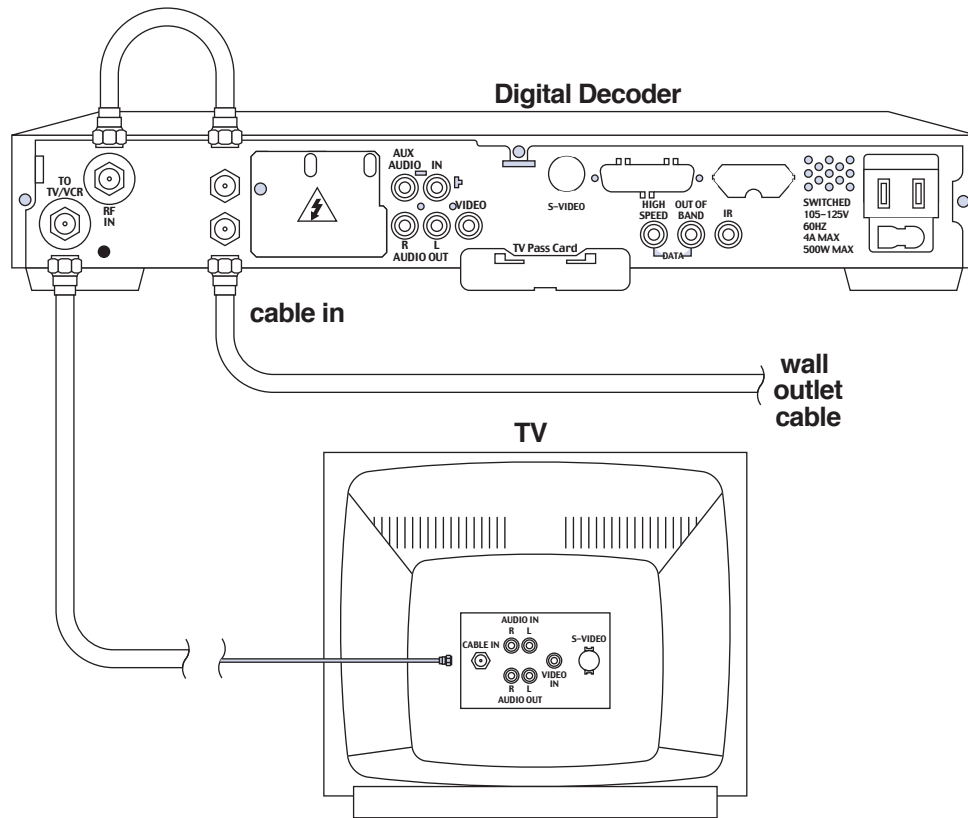


Getting Started

- Set your TV set to channel 3.
- If you do not have enough electrical outlets, use a power bar that will be always on.
- The following diagram represents the basic connection. Just follow the instructions. Do not forget to read all the detailed notes.

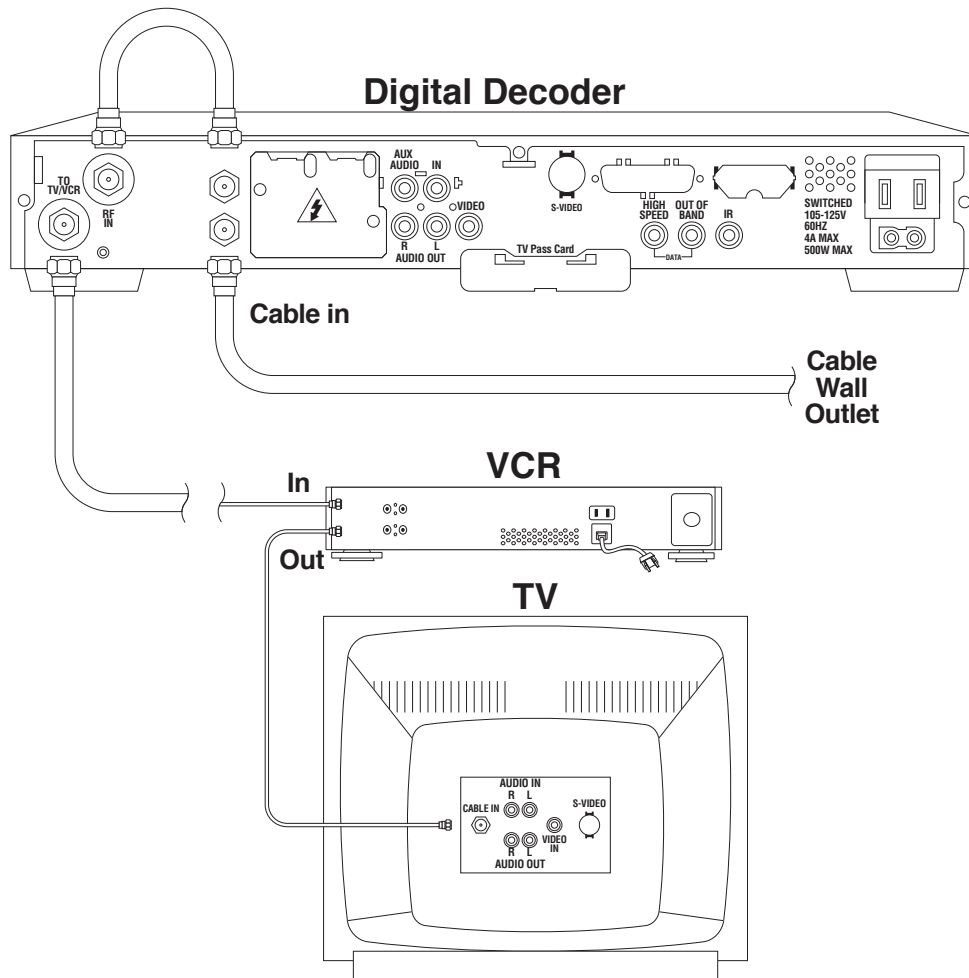


Instructions :

1. Connect the wall cable to cable "In" of your Digital Decoder
2. Connect your Digital Decoder output cable to the input of your VCR. Set VCR and TV to channel 3 (The TV can also be tuned to channels 2 and /or 4, according to the type of VCR)
3. Connect the output cable of your VCR to your input TV cable.

Special notes:

1. With this type of set up you can use your VCR to record any channel that your are watching. To tape a different program from the one you're watching, see *Configuration to allow recording digital channel while watching another channel.*
2. If you do not have a VCR, connect your Digital Decoder output cable directly to the cable input on your TV.



Your VCR and your video game device must be connected directly to your TV, This way you will avoid spoiling the quality of your Digital Decoder's signal.