

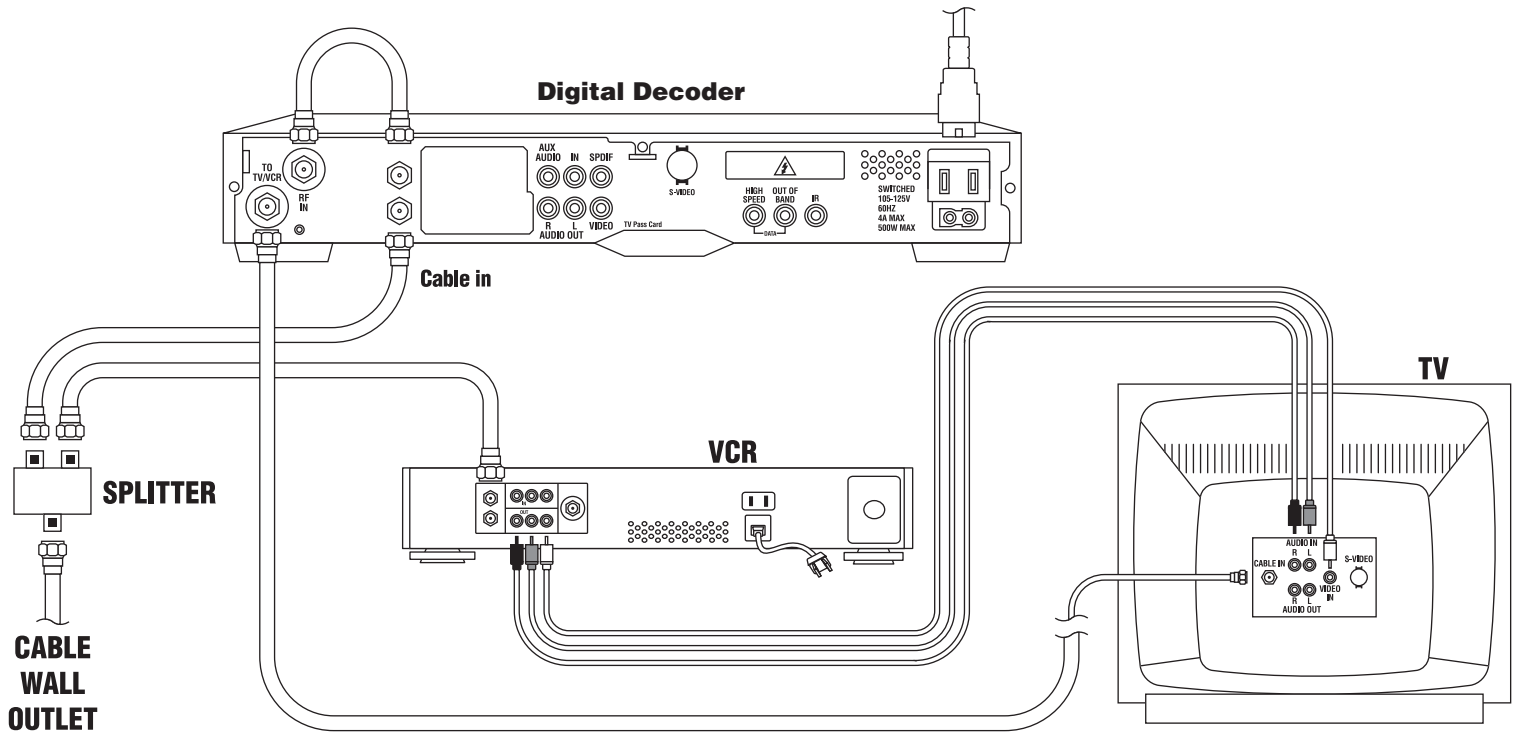
Configuration to be able to watch any channel while recording an analog channel. (you will no be able to record a Digital TV channel).

Instructions :

1. Connect the wall cable to the splitter's input.
2. Connect a COGECO coaxial cable from one of the splitter "OUT" to the Digital Decoder "IN".
3. Connect a COGECO coaxial cable between the Digital Decoder "OUT" to the TV "IN".
4. Connect a COGECO coaxial cable between the splitter's second spigot "OUT" and the VCR "IN".
5. Using a RCA cable, connect the VCR's audio and video "OUT" to your TV audio and video "IN".

Special notes :

1. RCA cables are not supplied by COGECO, visit your local electronic store to acquire them.
2. In this configuration you cannot record a digital cable channel.
3. Use the TV to select between "CABLE IN" to watch digital cable channels, and "VIDEO IN" to watch VCR programs or to watch analog cable channels.



Your VCR and Video game system must be connected directly to your TV. This way you will avoid spoiling the quality of your Digital Decoder's signal.