

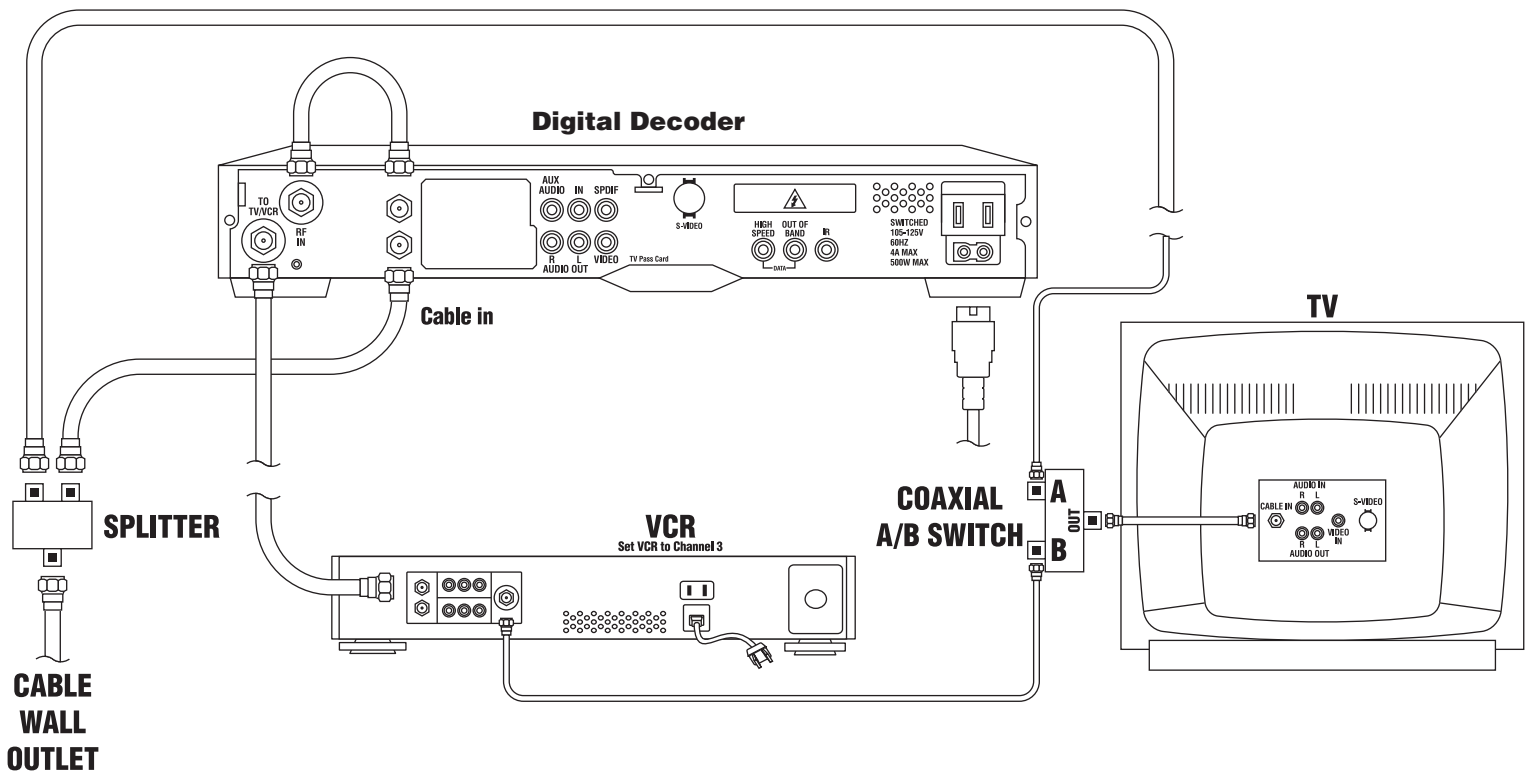
To record a digital channel while watching an analog channel

Instructions :

1. Connect cable from the wall to splitter input.
2. Connect a COGECO coaxial cable from one of the splitter's outputs to the Digital Decoder "IN".
3. Connect a COGECO coaxial cable from the Digital Decoder's output to the VCR's input, set your VCR to channel 3.
4. Connect a COGECO coaxial cable between your VCR and the "B" input of a coaxial A/B switch.
5. Connect a COGECO coaxial cable between the splitter's second output and the "A" input of the coaxial A/B switch.
6. Connect a COGECO coaxial cable from the output of the coaxial A/B switch to your TV input.

Specials notes :

1. If your TV does not have multiple inputs, you will need to use an A/B switch.
2. The A/B switch is not supplied by COGECO , visit your local electronic store to acquire them.
3. This configuration allows you to record a digital TV program while watching an analog channel.
4. You cannot watch a digital program when you already record a program on a digital channel.
5. If your TV has an audio/video input, RCA coaxial cables can be used between the VCR and the TV instead of the coaxial cable and the A/B switch. Nevertheless you have to use your TV to choose between "TV" to watch analog programs and "Video" to watch the Digital Decoder and VCR programs.



Your VCR and Video game system must be connected directly to your TV. This way you will avoid spoiling the quality of your Digital Decoder's signal.